

WHIZ 2.0

SPECIFICATION SHEET
ARCHI-COLOR® W+RGB

SLEEK AND ARCHITECTURAL
HIGH CEILING SOLUTION

Housing

Diameter : Ø16.24" | Height : 4.4" | Weight : 33 lbs

Material

Housing : High Pressure Die-Cast Aluminum
Lens : High transmittance clear tempered glass

Power Input

300W (W=180W, RGB=120W) | 120-277V

Lumen Output

21,520 lm (300W)

Dimming

DMX : High resolution dims to 0.1%

Color Quality

CRI 85

Rated Life

> 100,000 Hours (L70)

Finish



Black



White

Color Temperature



3000K

+



Archi-Color® W+RGB

Optics



25°



40°



60°



WIDE

Warranty

5 Year limited warranty

Listing



Designed For The Ones Who Expect The Extraordinary.

The Whiz 2.0 redefines high ceiling design, with a High Bay look that is unlike any other. This architectural fixture is suitable for mounting heights of 30ft and above and delivers high performance as well as clean aesthetics.

The Whiz 2.0 can be configured for both direct and indirect lighting, is available in Wet Location listed ratings, as well as Archi-Color® color-changing technologies.



METEOR

meteor-lighting.com

SPECIFICATION

PROJECT NAME

DATE

CATALOG #

QUANTITY

The product configurator function on this page works only with the latest version of Chrome or Adobe Acrobat Reader.

<input type="text" value="WS2"/>	MODEL	WHIZ 2.0 Archi-Color® W+RGB		
<input type="text" value="300"/>	WATTAGE	300 300W		
<input type="text" value="308C"/>	CCT / CRI	308C 3000K + RGB / CRI 85 Archi-Color® W+RGB		
<input type="text" value="UNV"/>	VOLTAGE	UNV 120-277V		
<input type="text"/>	DIMMING	DMX DMX dims to 0.1% (XLR Sockets)	DMXR DMX dims to 0.1% (RJ45 Sockets)	
<input type="text"/>	BEAM ANGLE	25 25° WD¹ Wide	40 40°	60 60°
<input type="text"/>	FINISH	BLK Black	WHT White	
<input type="text"/>	MOUNTING	ST2 Stem 2ft UP2 Uplight Stem 2ft AUP4 Adjustable Uplight 4ft	ST4 Stem 4ft UP4 Uplight Stem 4ft	AD10 Adjustable Cable 10ft AUP2 Adjustable Uplight 2ft
<input type="text"/>	ACCESSORIES	DF² Diffuser GSV⁵ Glare Shield Visor	WG³ Wire Guard	SNT⁴ Snoot

CLEAR FORM

¹ WD option reduces delivered lumens by ~20%
² DF option reduces delivered lumens by ~12% (~20% with WD)
³ WG option reduces delivered lumens by ~14%
⁴ SNT option reduces delivered lumens by ~30%
⁵ GSV option reduces delivered lumens by ~25%

TECHNICAL DETAILS

Electrical

- 21,520 lm (300W)
- Power Input : 120-277V
- Operating Temperature : -40°F~112°F
- Surge Protection : Built-in is 4KV
- Emergency Pack with Mounting Plate : Philips Bodine BSL20B2UEK55C111
- Power Factor Greater than 0.9

LED Features

- Color Temperature : 3000K + Archi-Color® W+RGB
- CRI 85
- Long lasting LED luminaire tested under TM21 lumen maintenance L70 @ 100,000 Hrs
- Lumen Maintenance > 0.90 at 60,000 hours

Optics

- Beam Angle : 25°, 40°, 60°, WD (With diffuser)

Advanced Dimming

- Proprietary VX Driver™ is integrated across all dimming options, delivering video flicker-free performance and full compliance with IEEE 1789.
- DMX : High resolution dims to 0.1% (Supports ANSI E1.20 RDM protocol)

Housing

- Diameter : Ø16.24"
- Height : 4.4"
- Weight : 33 lbs
- Material : High Pressure Die-Cast Aluminum, Tempered Glass
- IK07

Mounting

- Stem Mount 2ft or 4ft
- Adjustable Cable 10ft
- Uplight Mount 2ft, 4ft
- Adjustable Uplight Mount 2ft, 4ft

Warranty

- 5-year limited warranty

Listing

- ETL Damp Location Listed
- CE
- FCC

PERFORMANCE SUMMARY*

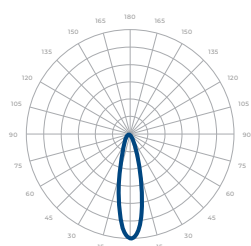
Delivered Lumens				
CCT/WATTAGE	R	G	B	W
300W	40W	40W	40W	180W
	510lm	4,000lm	490lm	16,520lm

Current Consumption		
WATTAGE / VOLT	120V	277V
300W	2.88A	1.26A

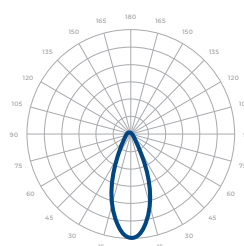
*Beam Angle: 60° *Tolerance ±8%

PHOTOMETRICS

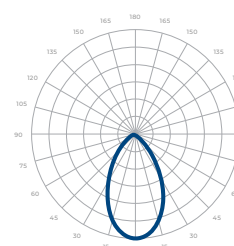
Below is a typical photometric representation of the Whiz 2.0 fixture. Please download IES files to ensure exact photometric value.



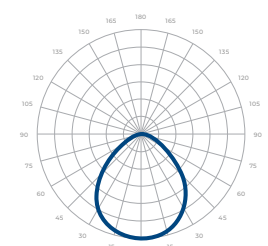
25°



40°



60°



WIDE

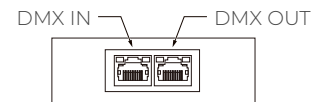
DMX REQUIREMENTS

The Whiz 2.0 Archi-Color® W+RGB fixture with DMX is a **four channel dmx** unit. When placing an order, please indicate DMX address. (The DMX address will be listed on the back of the fixture). Do not connect more than 32 fixtures per DMX daisy chain.

Fixture	DMX Address			
	Red Control (ex. X)	Green Control (ex. X+1)	Blue Control (ex. X+2)	White Control (ex. X+3)
#1	1	2	3	4
#2	5	6	7	8
#3	9	10	11	12

The fixture can be connected with RJ45 or XLR sockets. DMX cables **are not** included; please refer to compatible DMX cabling list for more information. The final fixture on each daisy chain should be terminated by the use of a DMX terminator purchased from a 3rd party or from Meteor.

CONNECTION	RJ45 (CAT5e)	5-PIN XLR
Common	WHITE/BROWN(PIN7) & BROWN (PIN 8)	PIN 1
Signal -	ORANGE (PIN 2)	PIN 2
Signal +	WHITE/ORANGE (PIN 1)	PIN 3
Spare	-	PIN 4
Spare	-	PIN 5



RJ45 Sockets



XLR Sockets

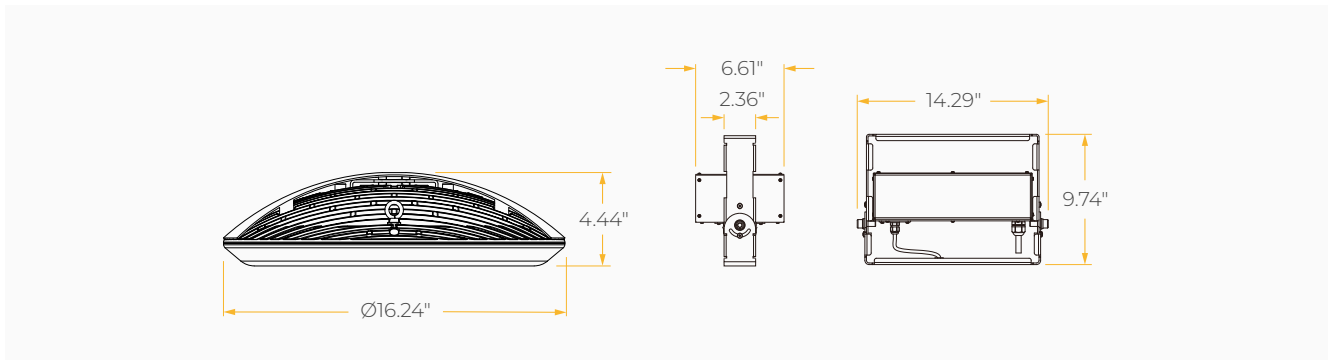
COMPATIBLE DMX CABLING LIST

DMX uses a cable consisting of two twisted pairs plus a shield to carry data. The cable must be specifically impedance matched for the digital DMX signal, meaning that microphone cable or other non-rated cable **must not be used to carry DMX**. Network cable (Cat5, 5e or 6 cable) may be used to carry DMX in an installation; however special consideration must be given to shielding and termination. Under no circumstances should solid core cable like Cat5 be terminated into a screw down connector.

Meteor recommends the use of Belden 9729 or Belden 9841 for DMX installation. Belden 9729/9841 is a two pair cable, which allows for a spare pair for 'out and back' type terminations if needed.

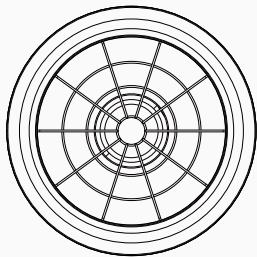
WHIZ 2.0 SLEEK AND ARCHITECTURAL
HIGH CEILING SOLUTION

DIMENSIONS

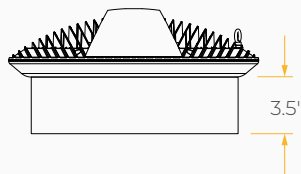


ACCESSORY

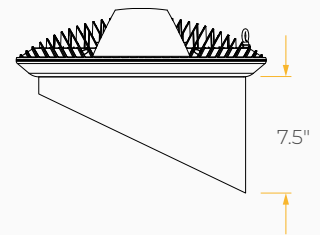
Wire Guard



Snoot

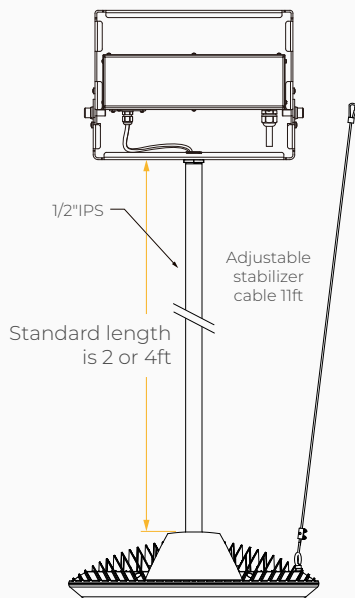


Glare Shield Visor

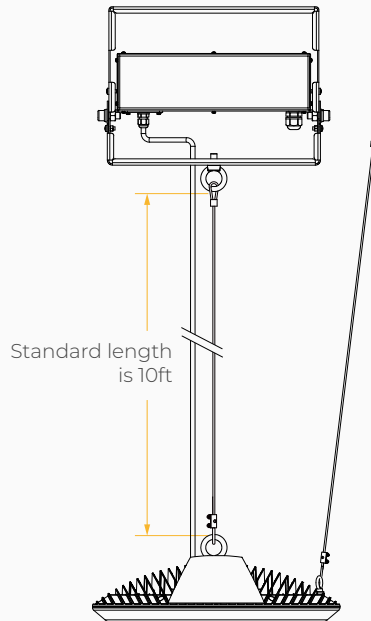


MOUNTING OPTIONS

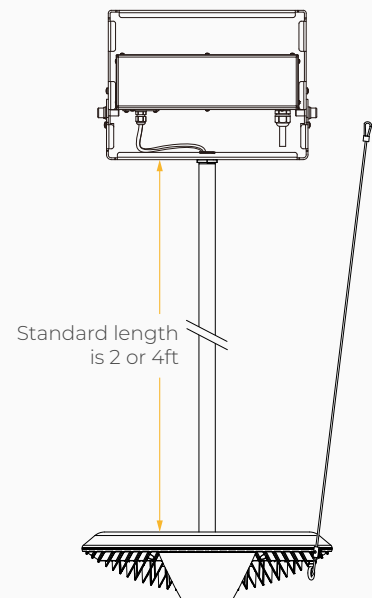
Stem Mount



Adjustable Aircraft Cable



Uplight Mount



**Adjustable Uplight
(45° Tilt on each side)**

